

# GHBH Series

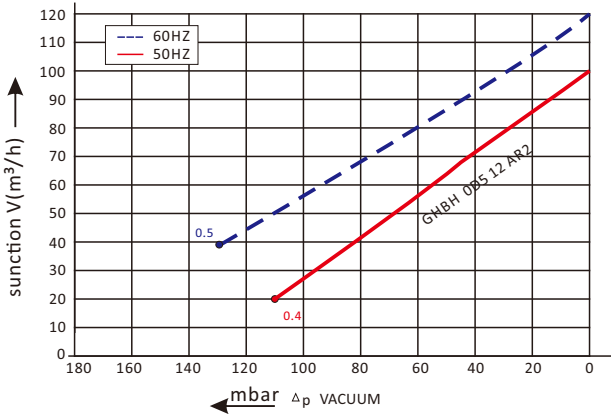
## GHBH 0D5 12 AR2

### Technical datasheet

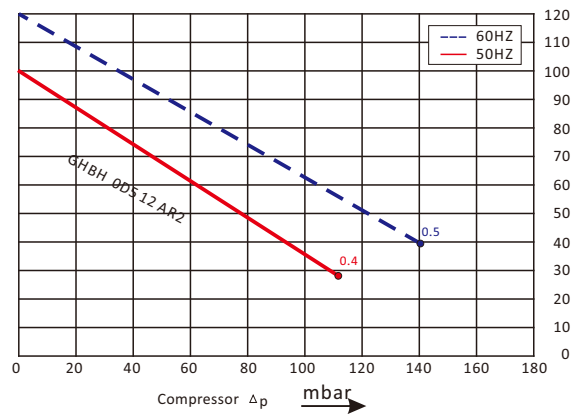


#### Goorui blower performance curves

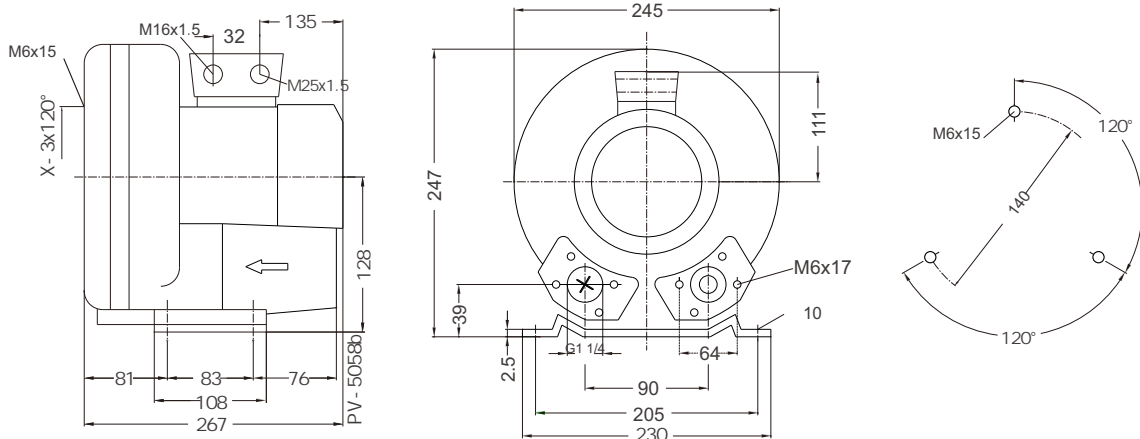
##### Vacuum selection diagram curve 50HZ



##### Compressor selection diagram curve 50HZ



#### Goorui blower installation drawing



#### Goorui blower parameter

Model	Frequency	Output	voltage	Current	airflow	pressure		noise	Weight
						vacuum	compressor		
	HZ	KW	V	A	m³/h	mbar	mbar	dB(A)	kg
<b>1~ 50/60Hz IP54 INSULATION class F</b>									
<b>GHBH 0D5 12 AR2</b>	50	0.4	200-240	2.7	100	-110	110	53	12
<b>GHBH 0D5 12 AR2</b>	60	0.5	220-275	3.2	120	-130	140	56	12

The performance curves of Goorui blower is tested through below ways:

Under one atmospheric pressure, suck 15°C air and then you can calculate the data, of course allow 10% difference, and when the sucked air and surroundings temperature are not higher than 25°C, you still can get total pressure difference as the curves shows.