

# GHBH Series

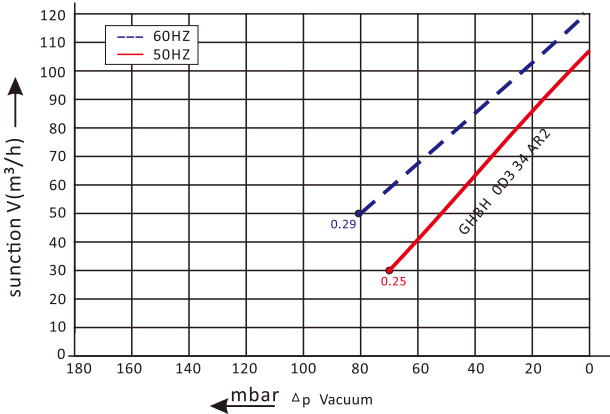
## GHBH 0D3 34 AR2

### Technical datasheet

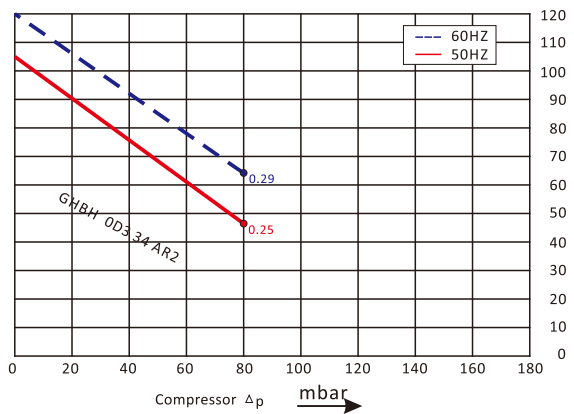


#### Goorui blower performance curves

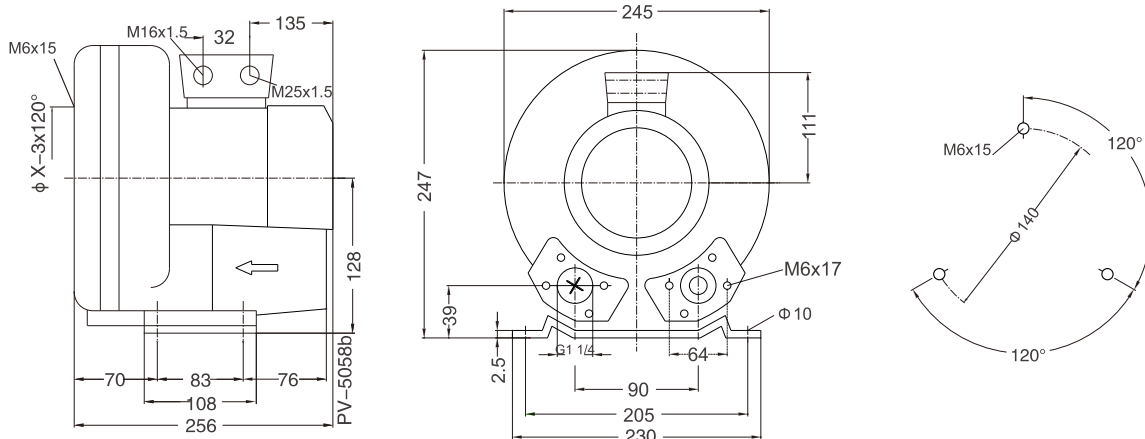
##### Vacuum selection diagram curve



##### Compressor selection diagram curve



#### Goorui blower installation drawing



#### Goorui blower parameter

Model	Frequency	Output	voltage	Current	airflow	pressure		noise	Weight
						vacuum	compressor		
	HZ	KW	V	A	m <sup>3</sup> /h	mbar	mbar	dB(A)	kg
<b>3~ 50/60Hz IP54 INSULATION class F</b>									
GHBH 0D3 34 AR2	50	0.25	200-240 $\Delta$ /345-415Y	2.1 $\Delta$ /1.2Y	105	-70	80	54	10
GHBH 0D3 34 AR2	60	0.29	220-275 $\Delta$ /380-480Y	2.0 $\Delta$ /1.15Y	120	-80	80	57	10

The performance curves of Goorui blower is tested through below ways:

Under one atmospheric pressure, suck 15°C air and then you can calculate the data, of course allow 10% difference, and when the sucked air and surroundings temperature are not higher than 25°C, you still can get total pressure difference as the curves shows.