

GHBH Series

GHBH 0D3 12 1R1

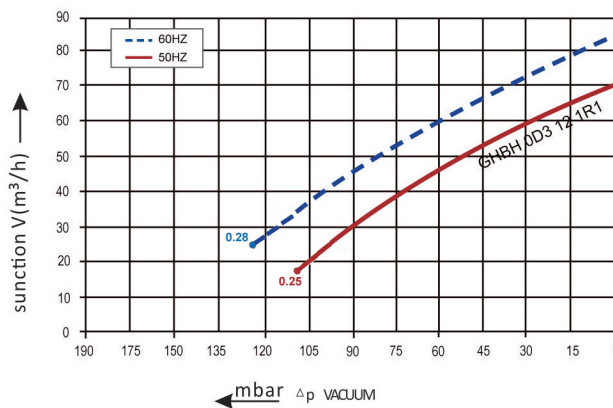


Technical datasheet

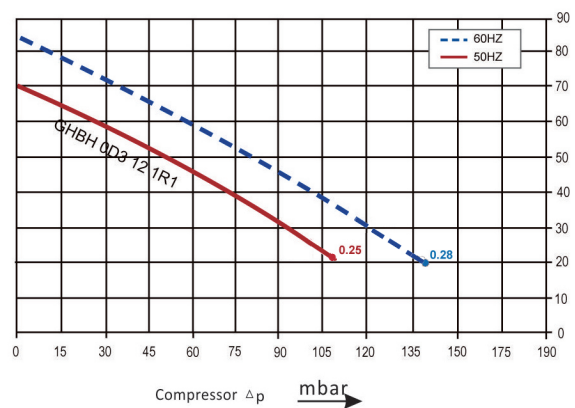


Goorui blower performance curves

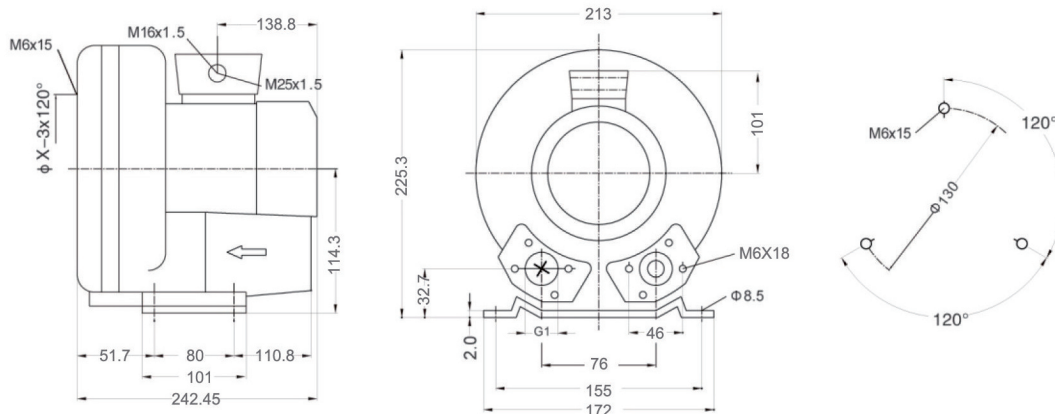
Vacuum selection diagram curve 50HZ



Compressor selection diagram curve 50HZ



Goorui blower installation drawing



Goorui blower parameter

Model	Frequency	Output	voltage	Current	airflow	pressure		noise	Weight
						vacuum mbar	compressor mbar		
	HZ	KW	V	A	m³/h			dB(A)	kg
1~ 50/60Hz IP54 INSULATION class F									
GHBH 0D3 12 1R1	50	0.25	200-240	1.7	70	-110	110	48	8
GHBH 0D3 12 1R1	60	0.28	220-275	1.9	84	-130	140	50	8

The performance curves of Goorui blower is tested through below ways:
 Under one atmospheric pressure, suck 15°C air and then you can calculate the data, of course allow 10% difference, and when the sucked air and surroundings temperature are not higher than 25°C, you still can get total pressure difference as the curves shows.