

GHBG Series

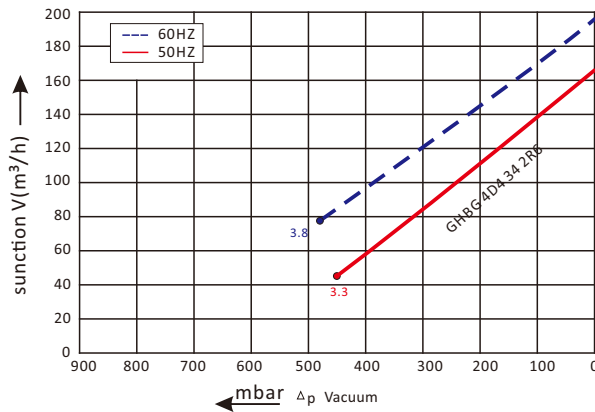
GHBG 4D4 34 2R6

Technical datasheet

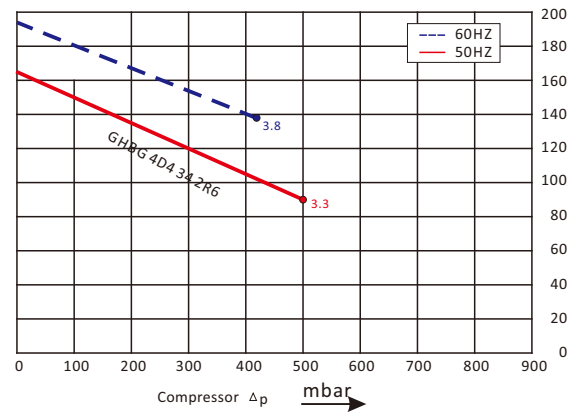


Goorui blower performance curves

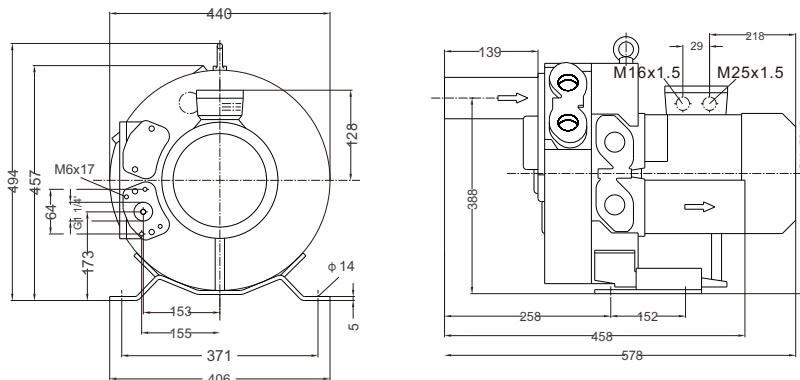
Vacuum selection diagram curve



Compressor selection diagram curve



Goorui blower installation drawing



Goorui blower parameter

Model	Frequency	Output	voltage	Current	airflow	pressure		noise	Weight
	Hz	KW	V		m³/h	vacuum mbar	compressor mbar		
3~ 50/60Hz IP54 INSULATION class F									
GHBG 4D4 34 2R6	50	3.3	200-240 Δ345-415Y	13.0 Δ7.5Y	165	-460	500	65	48
GHBG 4D4 34 2R6	60	3.8	220-275 Δ380-480Y	14.2 Δ8.2Y	195	-480	420	71	48

The performance curves of Goorui blower is tested through below ways:

Under one atmospheric pressure, suck 15°C air and then you can calculate the data, of course allow 10% difference, and when the sucked air and surroundings temperature are not higher than 25°C, you still can get total pressure difference as the curves shows.